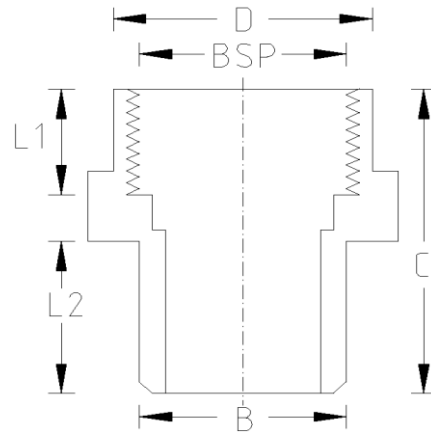


## PT SPIGOT ADAPTOR (Imperial)



### DATA TABLE

SIZE	B (mm)	BSP	C (mm)	D (mm)	L1 (mm)	L2 (mm)	WEIGHT (g)
1/2"	21.4	1/2"	39.0	28.0	15.0	17.0	20.0
3/4"	26.7	3/4"	43.0	34.0	16.0	20.0	35.0
1"	33.2	1"	49.0	42.0	19.0	23.0	60.0
1 1/4"	42.2	1 1/4"	57.0	51.0	21.0	27.0	90.0
1 1/2"	48.3	1 1/2"	62.0	58.0	21.0	32.0	155.0
2"	60.3	2"	74.0	72.0	26.0	39.0	265.0

### SPECS

- WRAS Approved
- Maximum Working Pressure - 10bar
- Operation Temperature 0 - 60°C

### Temperature Derating Table

Temperature C	Pressure rating bar
20	10.0
30	8.0
40	5.8
50	3.9
60	2.2

### RELATED PRODUCTS

- 51125 - 125ml UNI100 Griffon Cement w.brush
- 51023 - 500ml UNI100 Griffon Cement w. brush
- 51025 - 500ml UNI100 Griffon Cement - Tin
- 51012 - 500ml Tangit Cement - Tin
- 51024 - 500ml WDF-05 Blue Fast Setting Cement
- 51021 - 500ml PVC Cleaner
- 2817 - 50mm roll Emery Cloth
- 40911 - Centre Pull Paper Towel

## Plastic Pipe Shop Ltd

Unit 1, Craig Leith Road  
Broadleys Business Park,  
Stirling, FK7 7XQ  
Web: [www.plasticpipeshop.co.uk](http://www.plasticpipeshop.co.uk)  
Email: [sales@plasticpipeshop.co.uk](mailto:sales@plasticpipeshop.co.uk)  
Tel: 01786 472 850

## Plastic Pipe Shop Ltd

Drawing Name	Imperial PT Spigot Adaptor
Drawing No.	IMPPTSPIGADAP/PPF31
Drawn by	BB
Last revision	19 August 2019
Sheet	1/1
Manufacturer	EFFAST