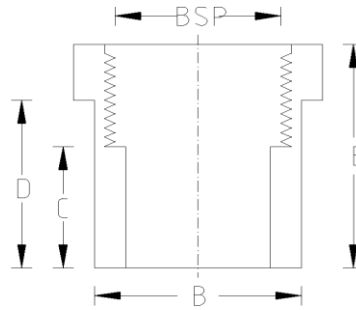


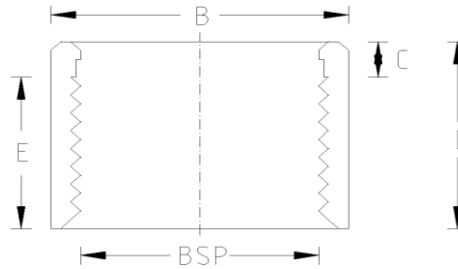
PT REDUCING BUSH (Metric)



DESIGN 1

DATA TABLE

SIZE	B (mm)	BSP (mm)	C (mm)	D (mm)	E (mm)	WEIGHT (g)
16mm : 1/4"	16.0	11.4	6.0	14.0	20.0	20.0
20mm : 1/4"	20.0	11.4	9.0	16.5	23.0	20.0
20mm : 3/8"	20.0	14.9	9.0	16.5	23.0	20.0
25mm : 1/2"	25.0	21.0	9.5	19.0	26.5	20.0



DESIGN 2

DATA TABLE

SIZE	B (mm)	BSP (mm)	C (mm)	D (mm)	E (mm)	WEIGHT (g)
32mm : 3/4"	32.0	26.4	5.7	22.0	16.3	30.0
40mm : 1"	40.0	33.2	6.9	26.0	19.1	50.0
50mm : 1 1/4"	50.0	41.9	9.6	31.0	21.4	80.0
63mm : 1 1/2"	63.0	47.8	16.6	38.0	21.4	100.0
75mm : 2"	75.0	59.6	18.3	44.0	25.7	150.0
90mm : 2 1/2"	90.0	75.2	20.8	51.0	30.2	180.0
110mm : 3"	110.0	87.9	27.7	61.0	33.3	200.0

SPECS

- WRAS Approved
- Maximum Working Pressure - 10bar
- Operation Temperature 0 - 60°C

RELATED PRODUCTS

- 51125 - 125ml UNI100 Griffon Cement w.brush
- 51023 - 500ml UNI100 Griffon Cement w. brush
- 51025 - 500ml UNI100 Griffon Cement - Tin
- 51012 - 500ml Tangit Cement - Tin
- 51024 - 500ml WDF-05 Blue Fast Setting Cement
- 51021 - 500ml PVC Cleaner
- 2817 - 50mm roll Emery Cloth
- 40911 - Centre Pull Paper Towel

Temperature Derating Table

Temperature C	Pressure rating bar
20	10.0
30	8.0
40	5.8
50	3.9
60	2.2

Plastic Pipe Shop Ltd

Unit 1, Craig Leith Road
Broadleys Business Park,
Stirling, FK7 7XQ
Web: www.plasticpipeshop.co.uk
Email: sales@plasticpipeshop.co.uk
Tel: 01786 472 850

Plastic Pipe Shop Ltd

Drawing Name	Metric PT Reducing Bush
Drawing No.	METPTREDBUSH/PPF108
Drawn by	BB
Last revision	30 March 2023
Sheet	1/1
Manufacturer	PLIMAT/EFFAST