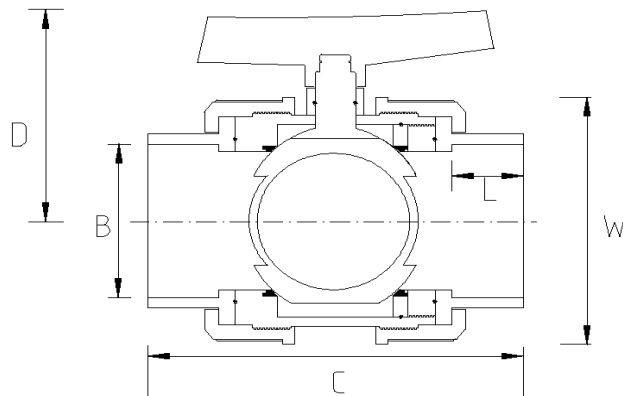


## EFFAST DOUBLE UNION BALL VALVE (Metric)



### DATA TABLE

SIZE	B (mm)	C (mm)	D (mm)	L (mm)	W (mm)	WEIGHT (g)
16mm	16.0	78.0	51.0	16.0	50.0	140.0
20mm	20.0	78.0	51.0	16.0	50.0	140.0
25mm	25.0	90.0	58.0	19.0	60.0	200.0
32mm	32.0	104.0	64.0	22.0	68.0	300.0
40mm	40.0	116.0	76.0	24.0	80.0	450.0
50mm	50.0	126.0	88.0	24.0	94.0	690.0
63mm	63.0	149.0	104.0	28.0	115.0	1150.0
75mm	75.0	205.0	137.0	33.0	168.0	3100.0
90mm	90.0	212.0	138.0	36.0	168.0	3250.0
110mm	110.0	244.0	166.0	42.0	210.0	5500.0

### SPECS

- WRAS Approved
- Maximum Working Pressure:
  - 16bar (16-63mm)
  - 10bar (75-110mm)
- Operation Temperature 0 - 60°C

### RELATED PRODUCTS

- 51125 - 125ml UNI100 Griffon Cement w.brush
- 51023 - 500ml UNI100 Griffon Cement w. brush
- 51025 - 500ml UNI100 Griffon Cement - Tin
- 51012 - 500ml Tangit Cement - Tin
- 51024 - 500ml WDF-05 Blue Fast Setting Cement
- 51021 - 500ml PVC Cleaner
- 2817 - 50mm roll Emery Cloth
- 40911 - Centre Pull Paper Towel

Temperature Derating Table (16bar)

Temperature C	Pressure rating bar
20	16.0
30	12.8
40	9.3
50	6.2
60	3.5

Temperature Derating Table (10bar)

Temperature C	Pressure rating bar
20	10.0
30	8.0
40	5.8
50	3.9
60	2.2

### Plastic Pipe Shop Ltd

Unit 1, Craig Leith Road  
Broadleys Business Park,  
Stirling, FK7 7XQ  
Web: [www.plasticpipeshop.co.uk](http://www.plasticpipeshop.co.uk)  
Email: [sales@plasticpipeshop.co.uk](mailto:sales@plasticpipeshop.co.uk)  
Tel: 01786 472 850

### Plastic Pipe Shop Ltd

Drawing Name	Metric Effast Double Union Ball Valve
Drawing No.	METEFFDUBV/PPF56
Drawn by	BB
Last revision	10 September 2019
Sheet	1/1
Manufacturer	EFFAST