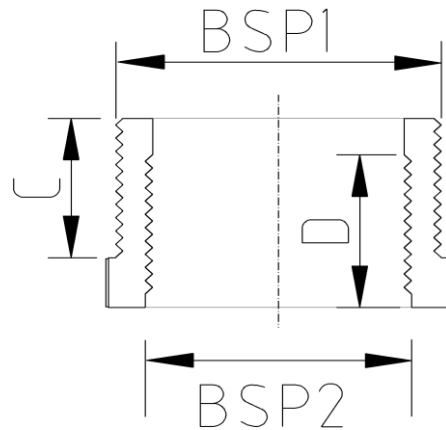


## BSP REDUCING BUSH (Imperial)



### DATA TABLE

SIZE	BSP1	BSP2	C (mm)	D (mm)	WEIGHT (g)
3/4" x 1/2"	3/4"	1/2"	18.5	17.0	16
1" x 1/2"	1"	1/2"	22.6	17.0	25
1" x 3/4"	1"	3/4"	22.6	18.5	29
1 1/4" x 1"	1 1/4"	1"	22.5	22.0	31
1 1/2" x 1"	1 1/2"	1"	23.0	22.0	40
1 1/2" x 1 1/4"	1 1/2"	1 1/4"	23.0	24.5	45
2" x 1"	2"	1"	26.0	22.0	47
2" x 1 1/2"	2"	1 1/2"	26.0	25.0	49
2 1/2" x 2"	2 1/2"	2"	32.0	28.0	95
3" x 2"	3"	2"	32.0	31.0	99
3" x 2 1/2"	3"	2 1/2"	32.0	28.0	135
4" x 2"	4"	2"	38.0	28.0	150
4" x 3"	4"	3"	38.0	34.0	100

### SPECS

- WRAS Approved
- Maximum Working Pressure - 10bar
- Operation Temperature 0 - 60°C

### Temperature Derating Table

Temperature C	Pressure rating bar
20	10.0
30	8.0
40	5.8
50	3.9
60	2.2

### RELATED PRODUCTS

- [51023 - 500ml Griffon Uni-100 PVC Cement](#)
- [51010 - 500ml Tangit Cement](#)
- [51024 - 500ml Griffon WDF-05 Fast Setting PVC Cement](#)
- [51021 - 500ml Griffon Pipe Cleaner](#)
- [2817 - 50mm roll Emery Cloth](#)
- [40911 - Centre Pull Paper Towel](#)

## Plastic Pipe Shop Ltd

Unit 1, Craig Leith Road  
Broadleys Business Park,  
Stirling, FK7 7XQ  
Web: [www.plasticpipeshop.co.uk](http://www.plasticpipeshop.co.uk)  
Email: [sales@plasticpipeshop.co.uk](mailto:sales@plasticpipeshop.co.uk)  
Tel: 01786 472 850

## Plastic Pipe Shop Ltd

Drawing Name	Imperial BSP Reducing Bush
Drawing No.	IMPBSPREDBUSH/PPF51
Drawn by	BB
Last revision	27 February 2020
Sheet	1/1
Manufacturer	ERA