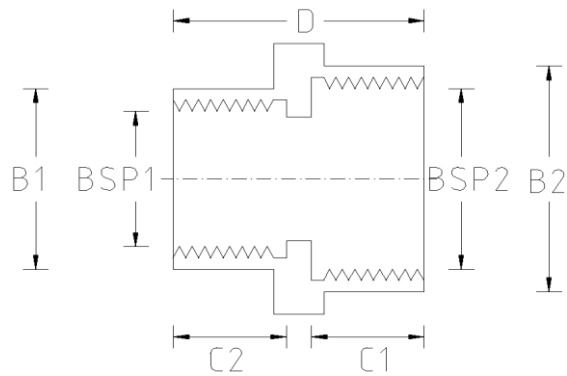


**FBSP REDUCER (Imperial)**



**DATA TABLE**

SIZE	BSP1	B1	BSP2	B2	C1	C2	D	WEIGHT (g)
3/4" x 1/2"	1/2"	26.5	3/4"	34.0	16.0	15.0	38.0	14.5
1" x 3/4"	3/4"	33.0	1"	42.0	19.0	16.0	42.0	26.0
1 1/4" x 1"	1"	41.0	1 1/4"	51.0	21.0	19.0	48.0	42.0
1 1/2" x 1 1/4"	1 1/4"	50.0	1 1/2"	58.0	21.0	21.0	50.0	55.5
2" x 1 1/2"	1 1/2"	60.5	2"	72.0	25.0	21.0	54.0	70.5
2 1/2" x 2"	2"	75.0	2 1/2"	89.0	30.0	25.0	63.0	90.0
3" x 2 1/2"	2 1/2"	88.0	3"	103.0	33.0	30.0	72.0	100.0
4" x 3"	3"	106.0	4"	130.0	39.0	33.0	82.0	150.0

**SPECS**

- WRAS Approved
- Maximum Working Pressure - 10bar
- Operation Temperature 0 - 60°C

**RELATED PRODUCTS**

13293 - PTFE tape

**Temperature Derating Table**

Temperature C	Pressure rating bar
20	10.0
30	8.0
40	5.8
50	3.9
60	2.2

**Plastic Pipe Shop Ltd**

Unit 1, Craig Leith Road  
 Broadleys Business Park,  
 Stirling, FK7 7XQ  
 Web: [www.plasticpipeshop.co.uk](http://www.plasticpipeshop.co.uk)  
 Email: [sales@plasticpipeshop.co.uk](mailto:sales@plasticpipeshop.co.uk)  
 Tel: 01786 472 850

**Plastic Pipe Shop Ltd**

Drawing Name	Imperial FBSP Reducer
Drawing No.	IMPFBSPRED/PPF51a
Drawn by	BB
Last revision	24 July 2019
Sheet	1/1
Manufacturer	EFFAST